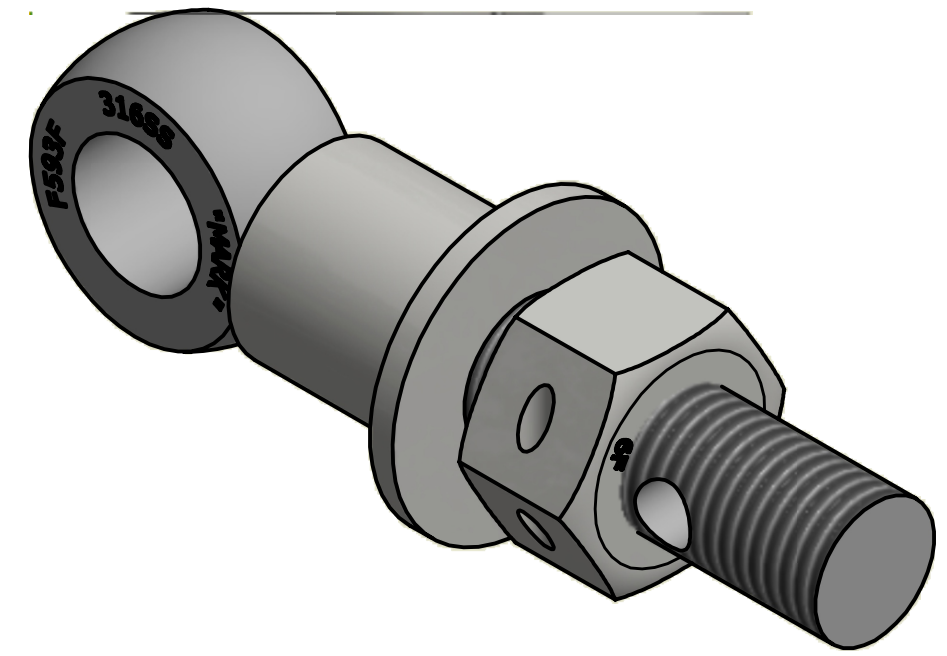
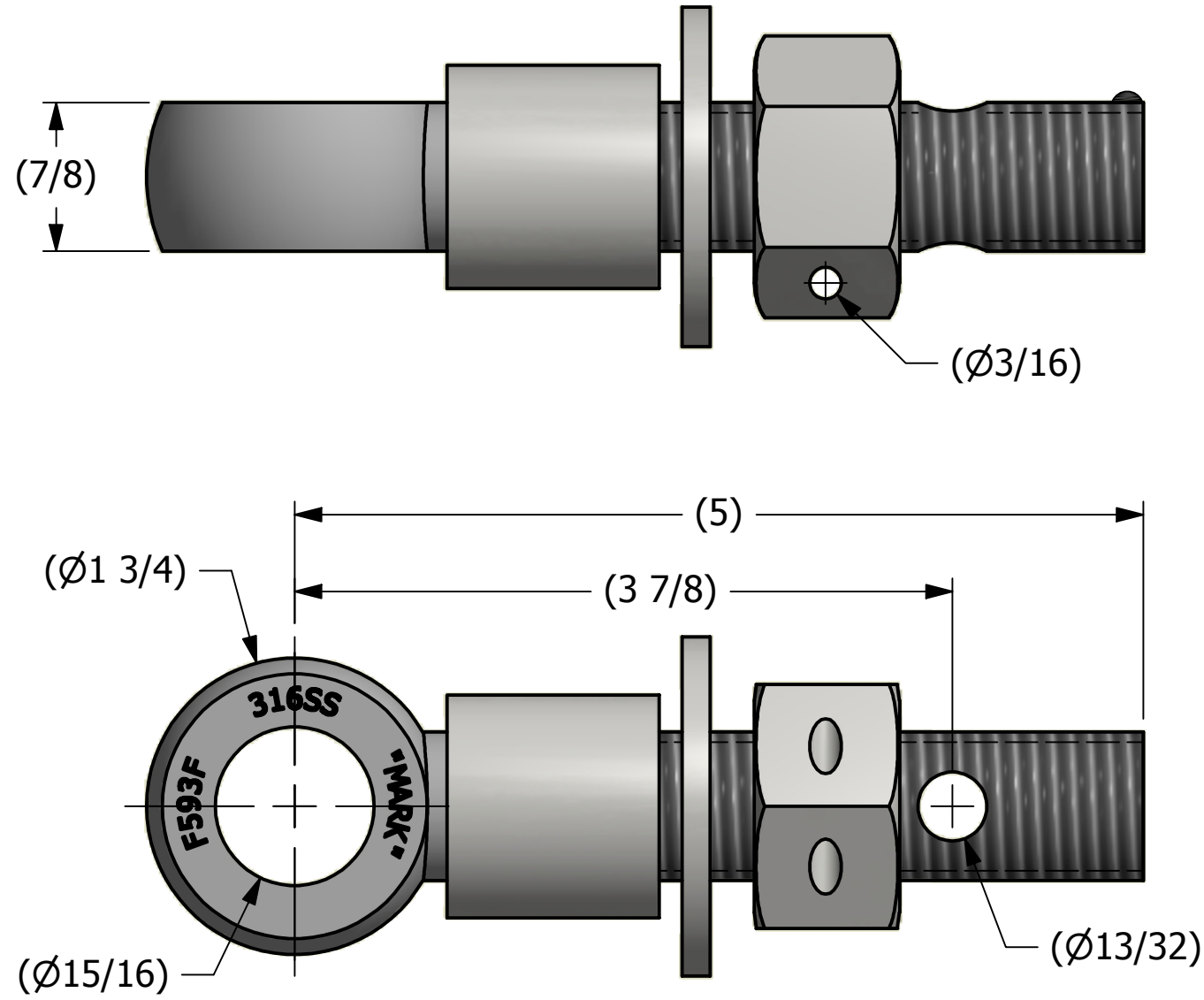


SALES DRAWING

SALES DRAWING



B	JJK	12-19-14	UPDATED EYEBOLT OD
A	BRG	1-20-09	NEW PART ADDED TO SYSTEM
REV	BY	DATE	DESCRIPTION
SALCO PRODUCTS, INC.			
PART NAME: EYEBOLT ASSEMBLY 7/8"X5"			
MATERIAL: 316 SS			
PROJECT #: WAG0642		SHEET #: 1 OF 1	SCALE: 1:1
DRAWING #: B26395		PART #: EB785XHH3AS6C	

<small>UNLESS OTHERWISE SPECIFIED DIMENSIONAL TOLERANCES</small> FRACTIONAL: $\pm 1/16$ X.XX: $\pm .03$ X.XXX: $\pm .015$ ANGULAR: $\pm 1^\circ$ <small>DEBURR ALL SHARP EDGES. ALL MACHINED SURFACES TO HAVE A 125 RMS FINISH UNLESS NOTED OTHERWISE.</small>	DRAWN BY:	CHL
	CHECKED BY:	PJG
	PROTOTYPE BY:	CHL
	PROTOTYPE DATE:	1/14/2009
	APPROVED FOR PRODUCTION BY:	PJG
	PRODUCTION DATE:	1/20/2009
THIRD ANGLE PROJECTION		

THIS PRINT, PROPERTY OF SALCO PRODUCTS INC., CONTAINS PROPRIETARY INFORMATION AND MUST NOT BE COPIED, REPRODUCED, OR USED DETRIMENTALLY TO OUR INTEREST.